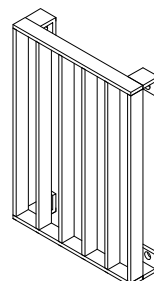
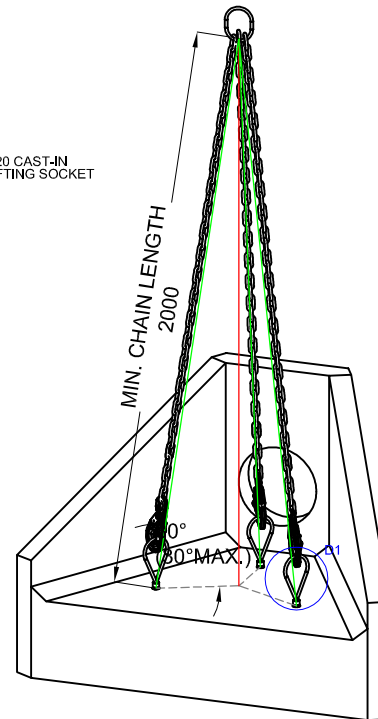
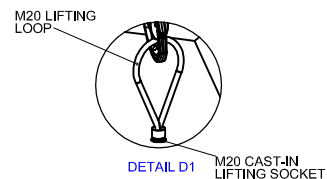
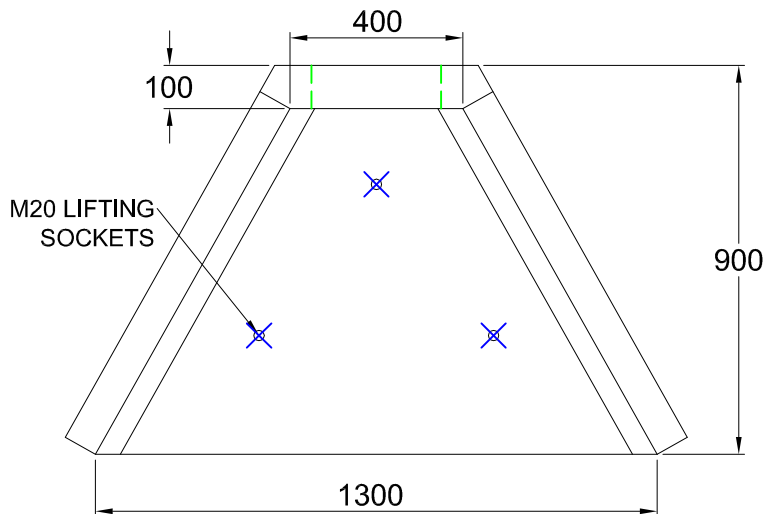
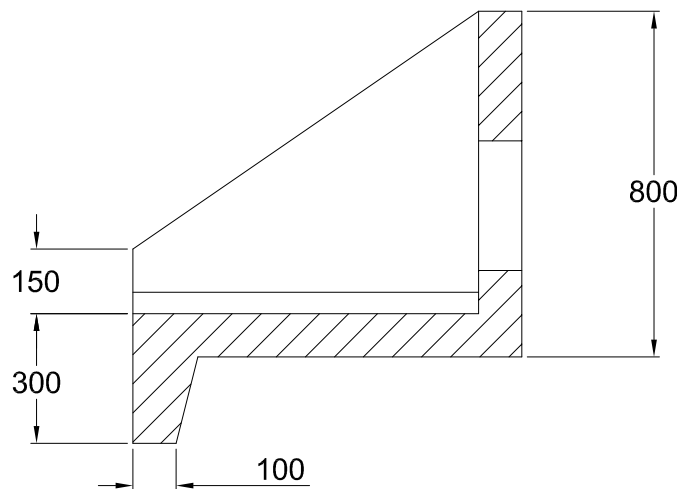
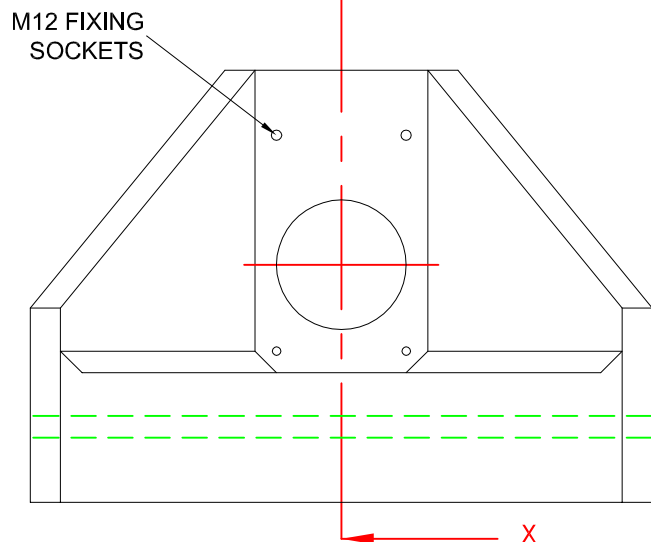


Opening in back wall cast to suit the outside diameter of the pipe at invert height required.



DETAIL D2

Grating manufactured from 40 x 10 flat at 75mm centres. Fully welded and hot dip galvanised.



SECTION X-X

DO NOT SCALE DRAWING

**NOTES:**  
 \* All dimensions in mm U.O.S  
 \* All measurements ± 1mm

**Specification Information**  
 \* Opening in back wall cast to suit outside diameter of the pipework.  
 \* Invert level of pipe can be set to your specification.

**Headwall Installation**  
 Units should be bedded on minimum 100mm thick well compacted Class 6A\* selected well graded granular material.  
 \*Manual of contract documents for Highway Works: Volume (MCHW1) specification for Highway Works, Series 600 (Nov.09).  
 Silt the headwall level or with a slight fall 1:50 from pipe to spill mouth.

**Handling**  
 A. Weight of concrete is based on 24 tonne/m<sup>3</sup>+5% is recommended for sizing lifting equipment.  
 B. All lifting points shall be used as specified below.  
 C. Unit to be lifted as per lifting diagram.

**Concrete**  
 A. Mix ref: Self-Compacting DCA/DS4 Mix  
 B. Lifting strength based on 2 cubes = 20N/mm<sup>2</sup>  
 C. Characteristic 28 day cube strength = 50N/mm<sup>2</sup>  
 D. Concrete provides Design Chemical Class 4 (DC4) to special Digest 1, Table F2.

**Reinforcement**  
 A. Reinforcement to BS EN 13369.  
 B. Scheduling, dimensioning, bending & cutting to BS8666.  
 C. Cage to be machine tied with steel wire.

**Manufacture**  
 A. Manufacture to BS EN 15258:2008 precast concrete products - Retaining wall elements, Factory Production Control Certificate number: 0086-CPR-659448 & BS EN 13369.  
 B. Tolerances to BS EN 13369 clause 4.3.1.1

**Finishing:**

Class	Top	Sides	Rein	Rein of back wall
A	1	2	3	1

Marking: Units shall be indelibly marked to show:  
 \* Mould Reference code.  
 \* De-mould date.  
 \* Job reference number & unique product number.  
 \* Unit weight (kg)

**Design**  
 A. Concrete design to EC2.  
 B. JKH have designed the concrete units only, the site conditions should be assessed for suitability by the scheme designer.  
 C. Units are designed to withstand a vertical live load surcharge of 10kN/m<sup>2</sup>.  
 D. Weight of soil = 18kN/m<sup>2</sup>.  
 E. Angle of internal friction = 30°  
 F. Design Life: >50 years

Mix Cover	Cover Block	Mix Cover	Max. Cover
Size (mm)	Size (mm)	Size (mm)	Size (mm)
All Faces	33	28	38

Exposure Class	Exposure Period	Concrete Intended	Formwork	Standard
Class	by Duration	by Climate	class	class
M	1	1	1	1

**Fabrication Specification**  
 A. Manufacture IAW EN 1090-2 EXC CLASS 1  
 B. Material grade is to be: BS EN 10025 S275  
 C. Welding carried out IAW EN 1090-2 PARA 7.5.4 - 7.5.18  
 D. All filler and butt welds to have a minimum throat thickness of 6mm & joints to be fully welded where possible.  
 E. Ensure vertical flats are fully welded both sides where possible.  
 F. All sharp edges and burrs are to be removed.  
 G. Remove all weld splatter.  
 H. Holes by punching are permitted without reaming.  
 Galvanising is carried out after fabrication to BS EN: ISO 1461.

**Handrail Specification**  
 A. Kee Klamp Galvanised Size 8 Fittings.  
 B. Size 8 48.3mm OD 3.2mm Wall Thickness Galvanised Medium Duty Tube to BS EN 10255.  
 C. 360Nm Design Load as stated in BS 8118, BS 6180, BS 6399 & BS 7818. Civil Engineering Specification for the Water Industry (CESWI).  
 D. Other design loads available on request  
 E. GRP/FRP Handrails also available.



ADDRESS: JKH LIMITED  
 HAMPSTEAD AVENUE  
 MILDENHALL  
 IP22 7AS

TEL: 01638 713705  
 FAX: 01638 582507  
 EMAIL: info@jkhltd.co.uk  
 WEBSITE: www.jkhltd.co.uk

PROPRIETARY & CONFIDENTIAL

The information contained in this drawing is the sole property of JKH (Design) Ltd. It is to be used only for the project for which it is prepared. Any reproduction in part or as a whole without the written permission of JKH (Design) Ltd. is strictly prohibited.

DRAWING TITLE / PROJECT:

300 Series Headwall

CLIENT:	Client		
SCALE:	NTS	DRAWING DATE:	30/05/2019
HEADWALL WEIGHT:	540kg	GRATING WEIGHT:	17kg
TOTAL WEIGHT:	557kg		
DRAWN BY:	DH	CHECKED BY:	JP

300 Series + CC grating

