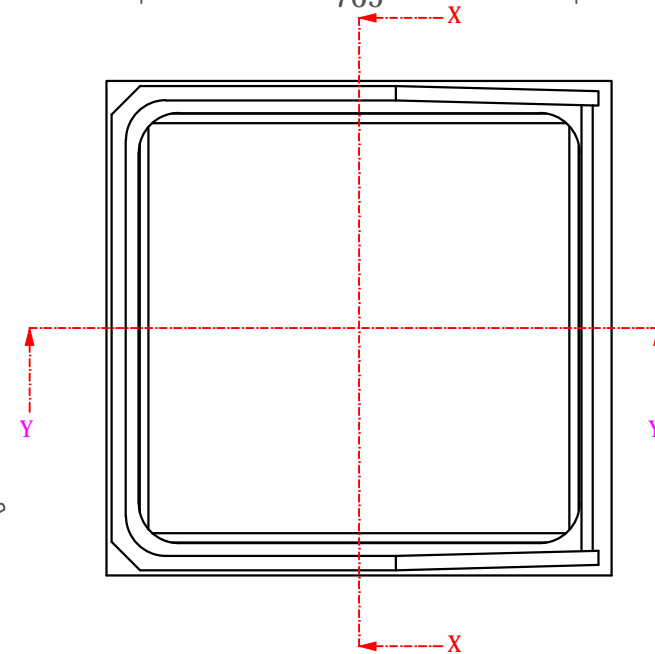


Standard Hinged grating for GRC silt trap made from 10mm dia bar and 25x25 angle.



Plan View with grating and lid removed

DO NOT SCALE DRAWING

- NOTES:**
- All dimensions in mm U.O.S
 - All measurements ± 1mm
- Material**
- Characteristic compressive strength of Glass Reinforced Concrete = 60N/mm²
 - Characteristic flexural strength of Glass Reinforced Concrete = 6N/mm²
 - Free water Cement ratio: <0.55
 - Glass fibres - 63kg/m³
 - Specification: XA2, DS2, DC2



ADDRESS: JKH LIMITED
HAMPSTEAD AVENUE
MILDENHALL
IP28 7AS

TEL: 01438 713785
FAX: 01438 582507
EMAIL: info@jkhhd.co.uk
WEBSITE: www.jkhhd.co.uk

PROPRIETARY & CONFIDENTIAL

The information contained in this drawing is the sole property of J.K.H Drainage Units Limited.
Any reproduction in part or as a whole without the written permission of J.K.H Drainage Units Limited is strictly prohibited.

DRAWING TITLE / PROJECT:

GRC Square Silt Trap
(Glass Reinforced Cement)

CLIENT:	Client	
SCALE:	NTS	DRAWING DATE: 17/07/2019
TOTAL WEIGHT:	130kg	
DRAWN BY:	LC	CHECKED BY: -
DRAWING No:		

GRC Square Silt Trap